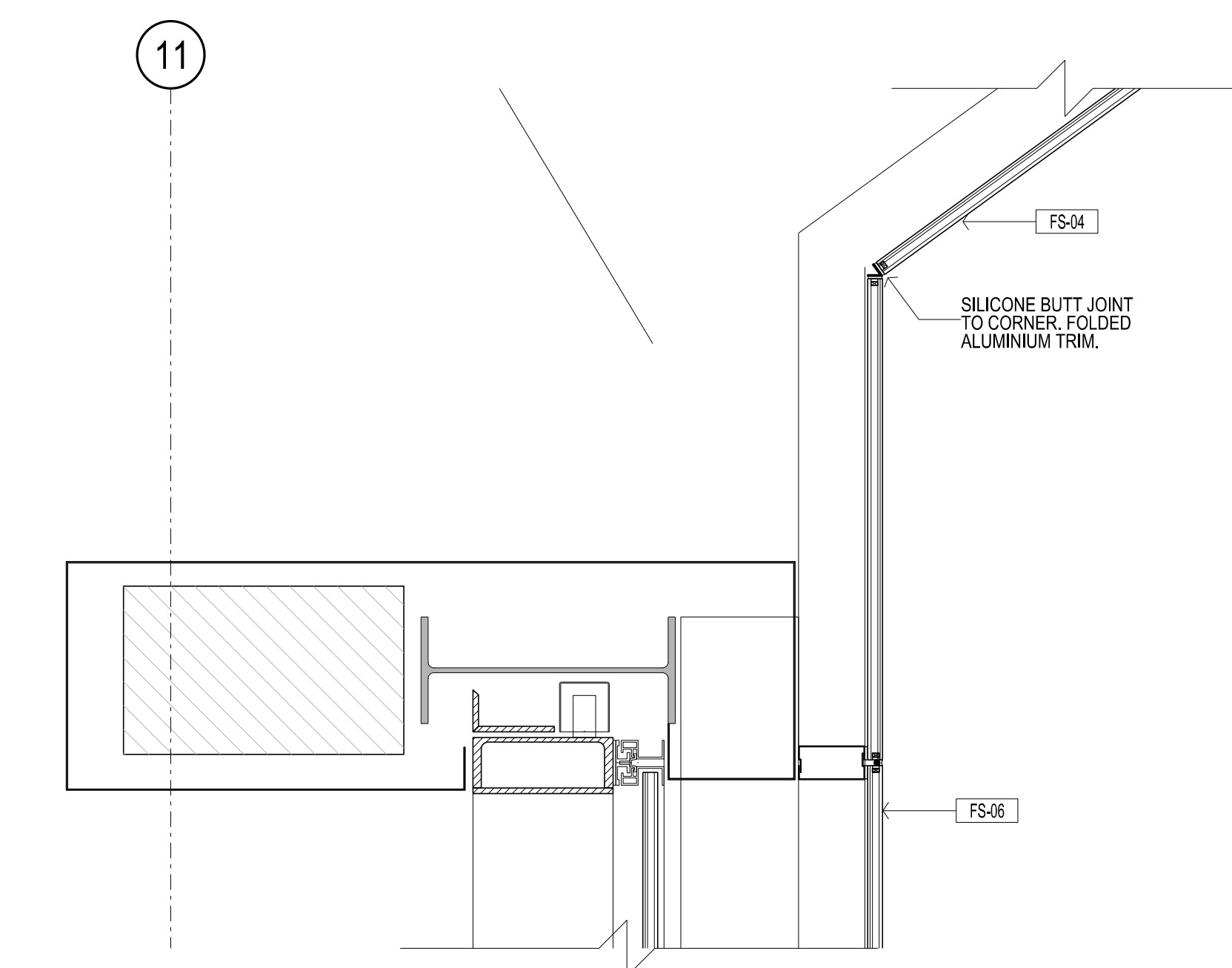


CONTRACTORS SHALL VERIFY JOB DIMENSIONS BEFORE ANY JOB COMMENCES. ALL SHOP DRAWINGS SHALL BE SUBMITTED TO THE SUPERINTENDENT AND MANUFACTURER SHALL NOT COMMENCE PRIOR TO THE RETURN OF DIMENSIONED SHOP DRAWINGS REVIEWED BY THE CONSULTANT. FOUR-DIGIT DIMENSIONS SHALL TAKE PRECEDENCE OVER SCALED. THIS DRAWING SHALL BE READ IN CONJUNCTION WITH ALL RELEVANT CONTRACT SPECIFICATIONS AND DRAWINGS COPYRIGHT OF THIS DRAWING IS VESTED IN WARDLE.

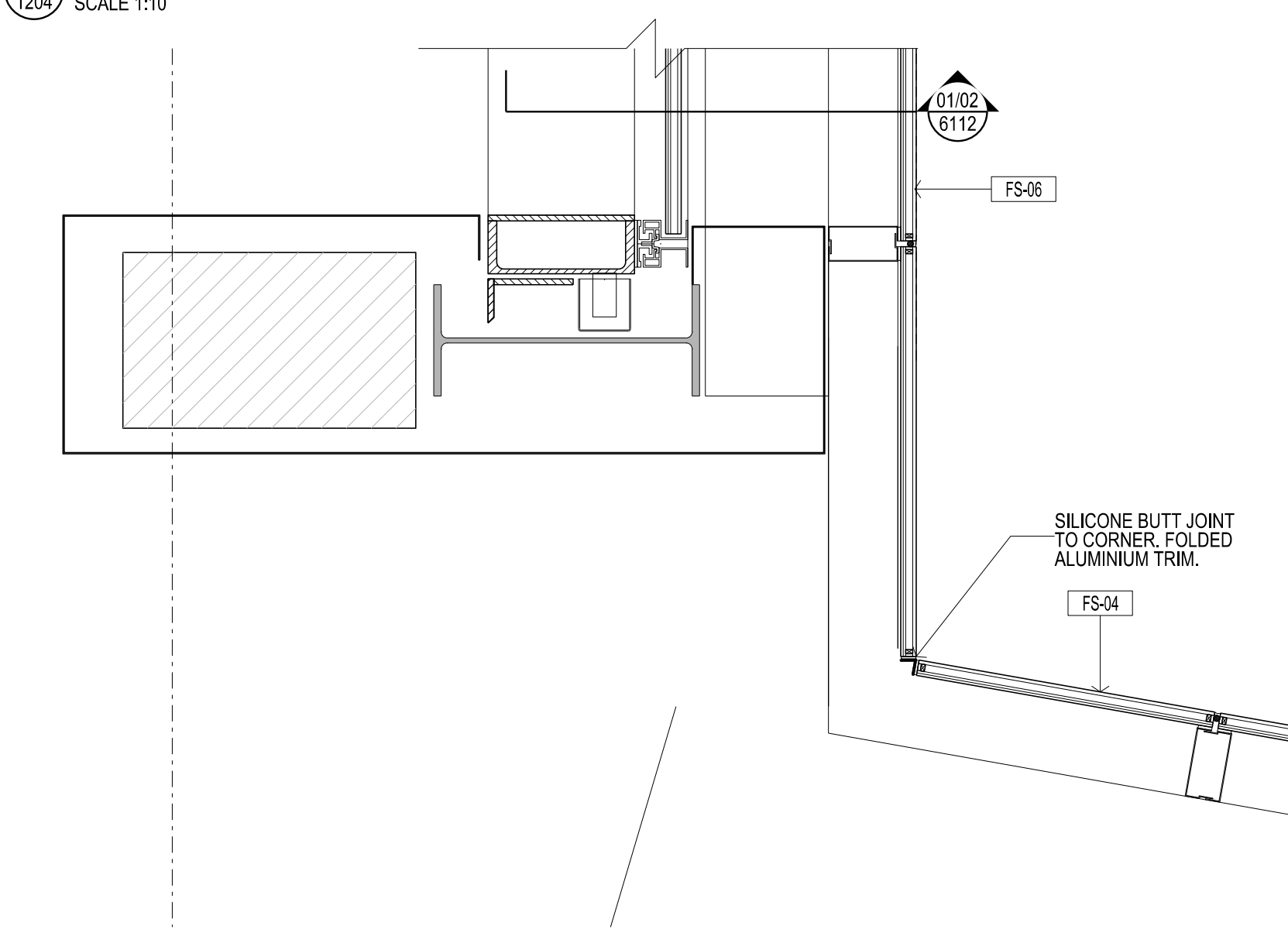
General Notes

REFER ARCHITECTURAL DRAWINGS:

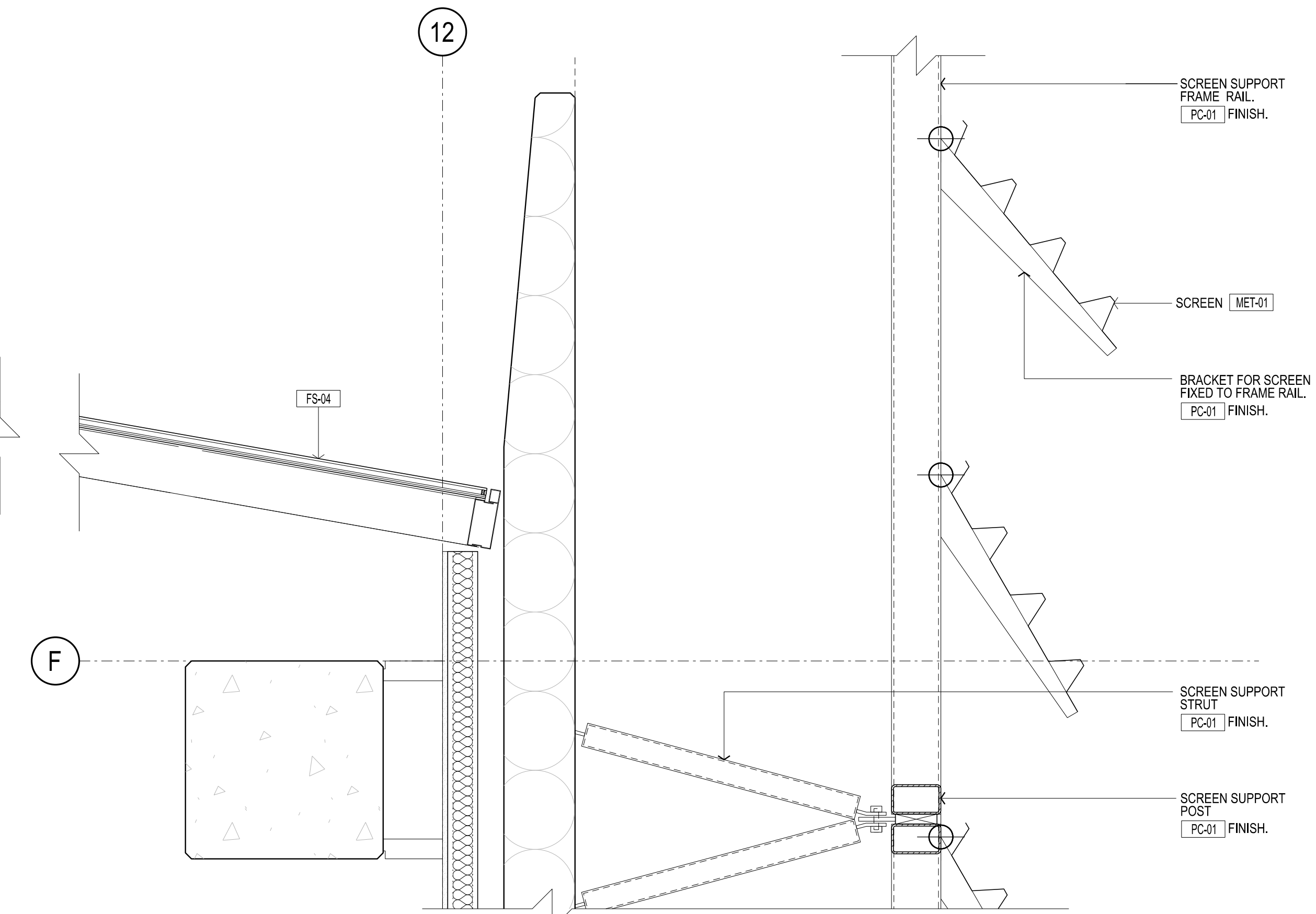
- FACADE SETOUT AR1502-AR1507
- PRECAST SETOUT AR1512-AR1517
- SCREEN SETOUT AR1502-AR1557
- SCREEN DETAILS AR6550-AR6554



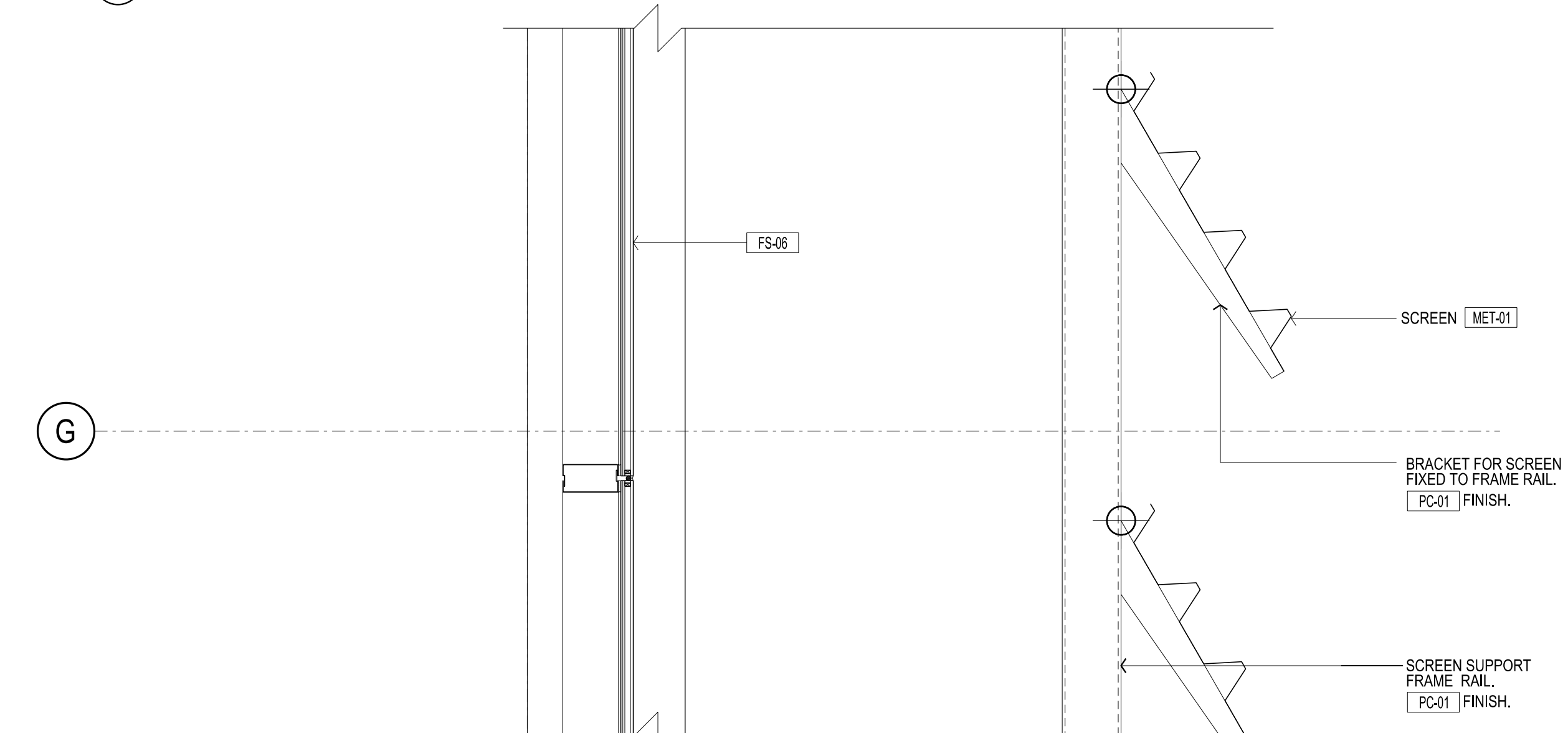
04  
1204 PLAN DETAIL - L02  
SCALE 1:10



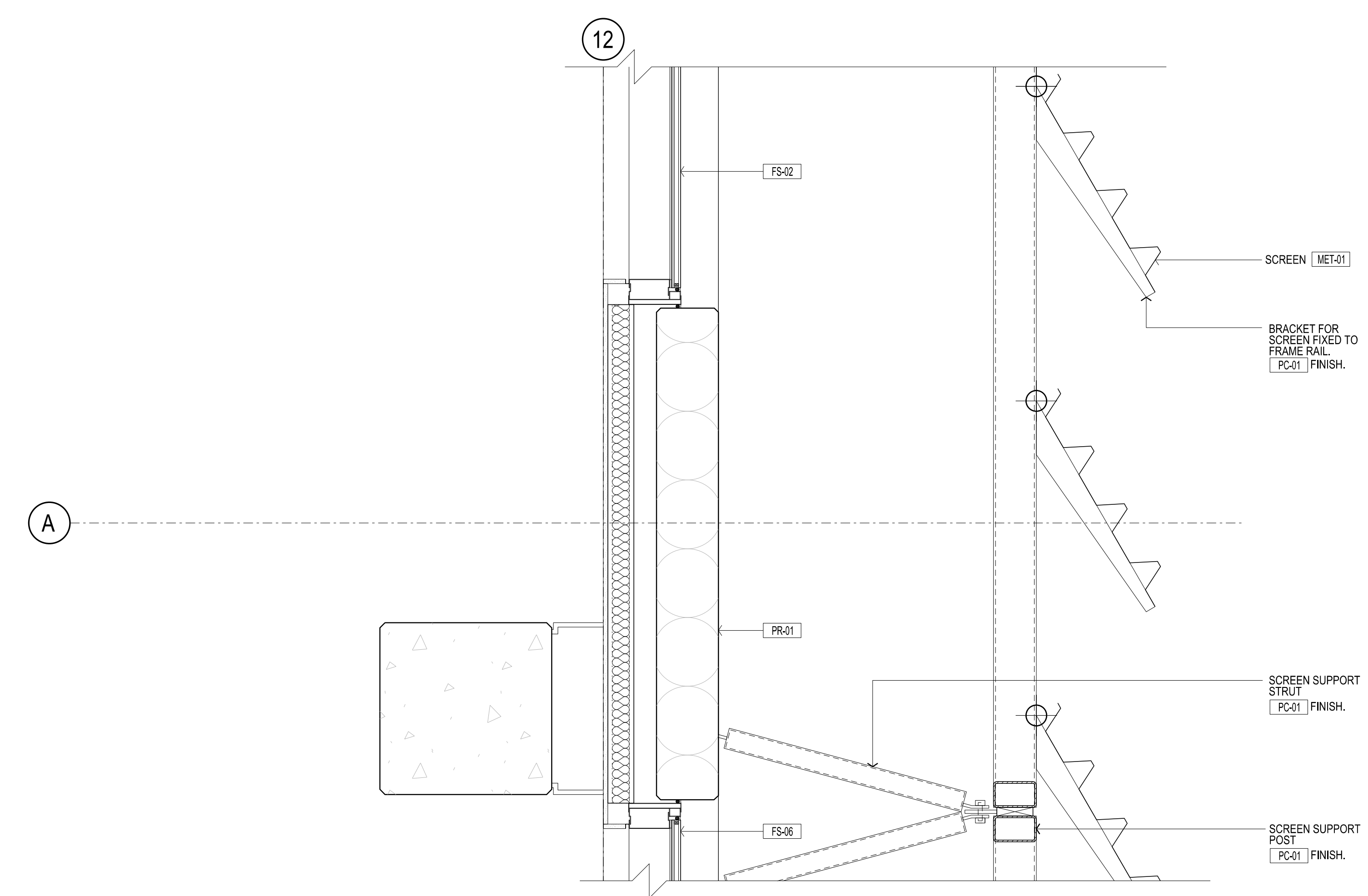
05  
1204 PLAN DETAIL - L02  
SCALE 1:10



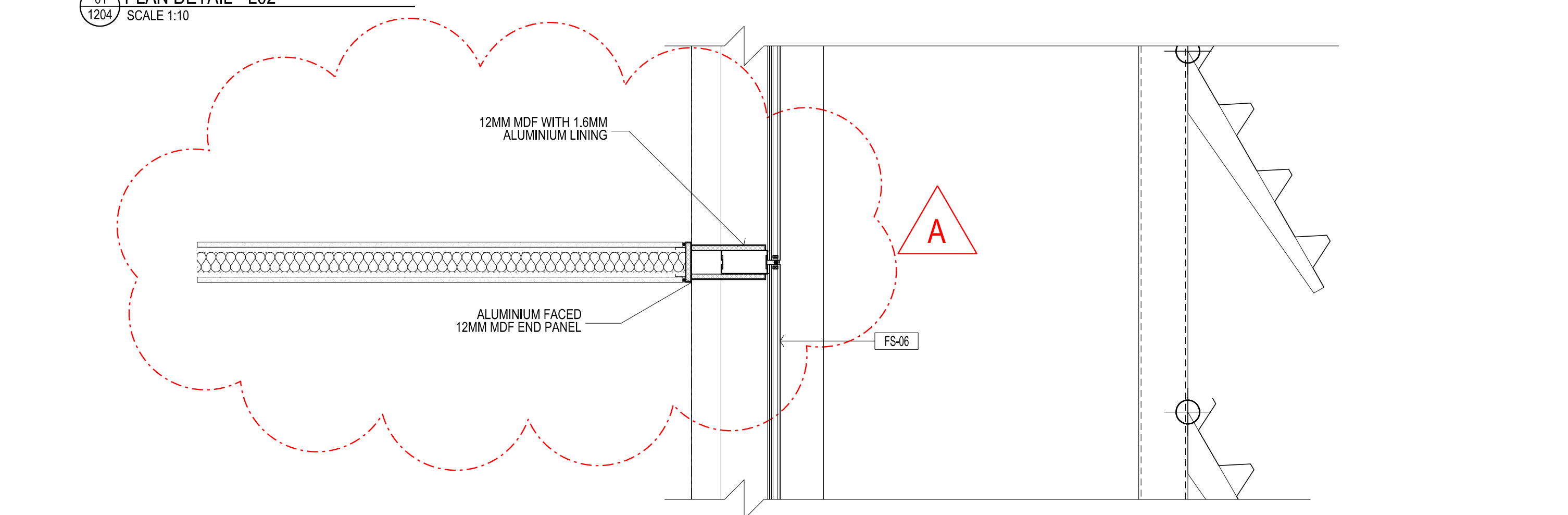
06  
1204 PLAN DETAIL - L02  
SCALE 1:10



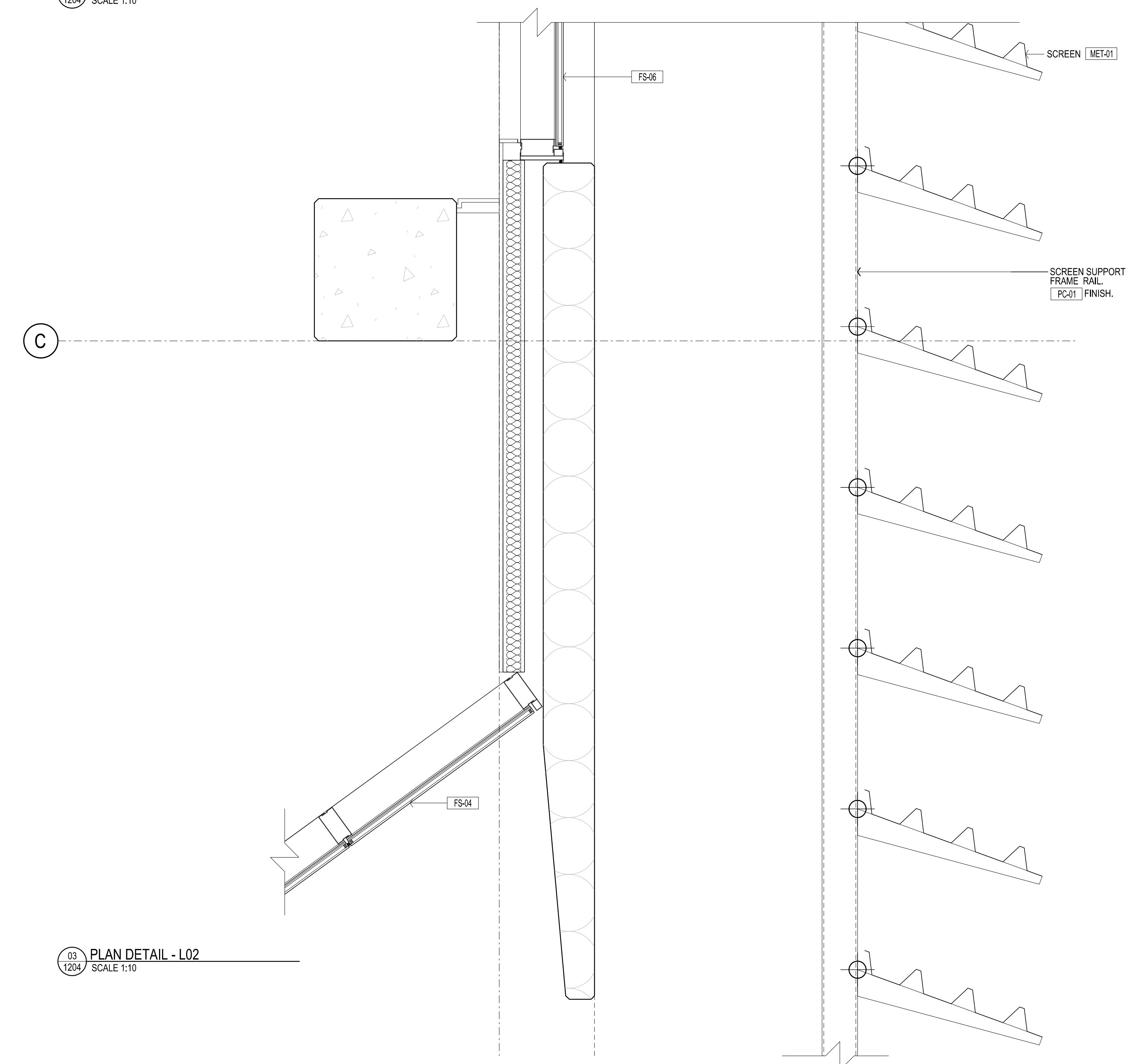
07  
1204 PLAN DETAIL - L02  
SCALE 1:10



01  
1204 PLAN DETAIL - L02  
SCALE 1:10



02  
1204 PLAN DETAIL - L02  
SCALE 1:10



03  
1204 PLAN DETAIL - L02  
SCALE 1:10

Rev	Issue	Revision Description	Amd	Date
A	SG	PLASTERBOARD PACKAGE REFERENCE DWG CHANGE FROM 1503-1200'S		18.09.13
07	SG	TENDER ISSUE		16.04.13
06	SG	VALUE MANAGEMENT ISSUE		28.03.13
05	SG	PRECAST REVIEW		21.03.13
04	SG	100% CD - TENDER ISSUE		07.09.12
03	SG	90% CD ISSUE		10.08.12
02	SG	75% CD ISSUE		13.07.12
01	SG	55% CD ISSUE		08.06.12



**NADAAA**  
 NADAAA  
 1520 Washington Street No.2 Boston Massachusetts 02118 USA  
 Telephone +1 617 442 8232 Facsimile +1 617 442 1417 Email nadaa@nadaaa.com

**John Wardle Architects**  
 25 Rokeby Street, Collingwood, Victoria 3066 Australia  
 Tel: +61 3 8662 0400 www.johnwardlearchitects.com  
 © 2012 John Wardle Architects ABN 83 006 814 268

Client **University of Melbourne Parkville Campus**  
 Project **Faculty of Architecture Building and Planning**  
 Title **PLAN DETAILS L02 - SHEET 3**

Project No.	<b>0913</b>	Scale	1:10 @ A0 1:20 @ A2
Drawing No.	<b>AR6010</b>	Revision	<b>A</b>

Date: Dec 2011 Drawn: Co-Ord: Check:

FILENAME - \$FILES  
**FOR CONSTRUCTION**